

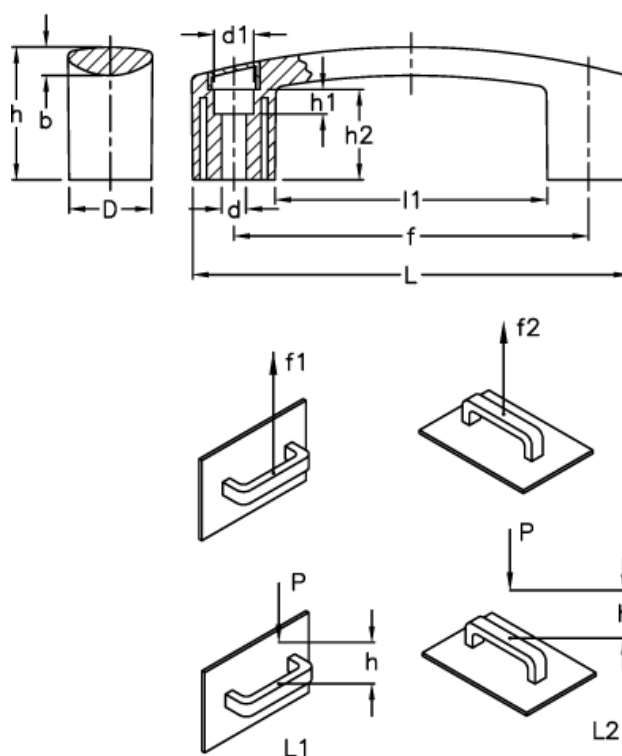
Data Sheet



Article number: 23052601114

Description: E+G Bridge handle
EBP.110-6-C4 Yellow

Measures



$$L[J]=P[N]\cdot h[m]$$

b	= 7.5	h1	= 6.5
d	= 6.5	h2	= 23.5
D	= 22.0	L	= 116.0
d1	= 10.5	l1	= 72.0
f	= 93,5 +/-0,5	L1 (J)	= 8
F1 (N)	= 2000	L2 (J)	= 3
F2 (N)	= 1500		
h	= 35		